

USER MANUAL

NO.:136100V3-FD

1/10 SCALE 4WD ELECTRIC POWER READY TO RUN CRAWLER

The items inside the box:

- 1) Ready-to-run vehicle
- 2) Transmitter
- 3) Charger
- 4) Manual
- 5) RGT decal sheet



SPECIFICATIONS:

ITEM NO.	ITEM	TYPE	SCALE	DESCRIPTION	GIFT BOX SIZE	CERTIFICATION
136100V3-FD	Rock Cruiser	Electronic Toy	1/10	Off-Road Crawler	52.5*25*28CM	EN71, RoHS, CE, FCC

LENGTH	WIDTH	HEIGHT	WHEEL BASE	DRIVE SYSTEM	DIAMETER OF WHEEL	WIDTH OF WHEEL	GEAR RATIO
430mm	215mm	255mm	255mm	4WD Shaft Drive	100mm	38mm	88:1

RADIO	E S C	MOTOR	SERVO	BATTERY PACK	WEIGHT	CHARGER	TRANSMITTER BATTERY
2.4GHZ	40A	RC390	6 KG	7.2v 1500mAh	1.8KG	9V1500mAh (Euro/UK/USA)	Exclude

Introduction

We would like to welcome you to the world of remote control cars. What are RC cars? The simple answer is that they are radio controlled cars that respond precisely to your command. The more complete answer is that they can be a great addition to your lifestyle. RC car building and racing teach valuable mechanical and electrical skills, promote teamwork and encourage racers to test their skills with other racers from around the world. Whether you are just having fun racing your car in your backyard or racing at the world competition contest, radio controlled car racing is a great hobby.

We have been making RC products aimed at making our hobby fun and exciting with an affordable price. We are confident that your experience with our products will be positive. Of all the radio controlled models out there, no question about it, RC cars are the hardest to operate. This user manual covers a wide range of topics from nitro powered remote control cars to electrical powered remote control cars. We highly recommend that you read this user manual thoroughly and carefully before assembling and operating. Please follow all precautions and recommendations located within the manual. Be sure to retain the manual for future reference, routine maintenance, and tuning.

This product is not a toy. It is not recommended for children under 14 years old and any minor should be accompanied by an adult when operating. This product is a precision machine that requires proper assembly and setup to avoid accidents. Failure to take caution when operating this product may result in serious injury or property damage. It is the owner's responsibility to operate this product in a safe manner. Manufacturer and its distributors are not responsible in any way for any and all bodily injury(s) and/or property damage that may occur from the use of or caused by in any way or this product.

Factory Address: Huang Jiang Town, Dong Guan City, Guang Dong Province, China
 Website: www.RGT-RACING.COM
 Production Date: refer to packing instruction



OPERATION CHECKLIST

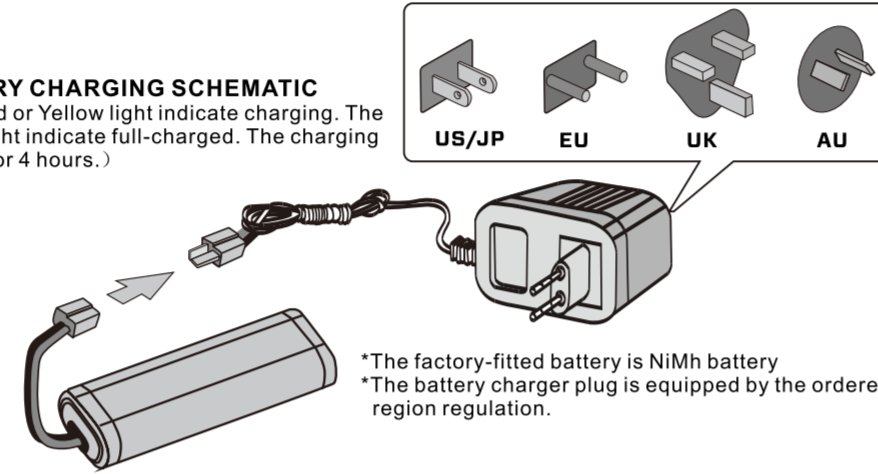
1. Read and follow all the instructions in the entire manual before operation
2. Familiar with all the features and parts of the product
3. Check if all screws and nuts are tight before operating
4. Check if the vehicle battery is fully charged, and install it in the vehicle
5. 4AA batteries needed for the transmitter
6. Power on the transmitter, and check the throttle and steering is normal
7. Check the radio system function
8. Maintenance the vehicle when needed

NiMH Battery Instructions

- Never dispose of NiMH batteries in a fire or store near sources of heat.
- Only use the supplied NiMH charger to charge the NiMH battery. Using another charger may permanently damage the battery and surrounding components and may also lead to injury.
- Batteries should only be charged on a fireproof surface, away from any flammable materials.
- Never leave the battery unattended when charging or discharging.
- Batteries must be discharged or fully exhausted before being disposed of. Cover exposed poles with adhesive tape to prevent short-circuiting!
- Never disassemble or alter the battery contacts. Do not damage or puncture battery cells. Doing so would result in an explosion hazard!
- Keep the NiMH battery away from children.

BATTERY CHARGING SCHEMATIC

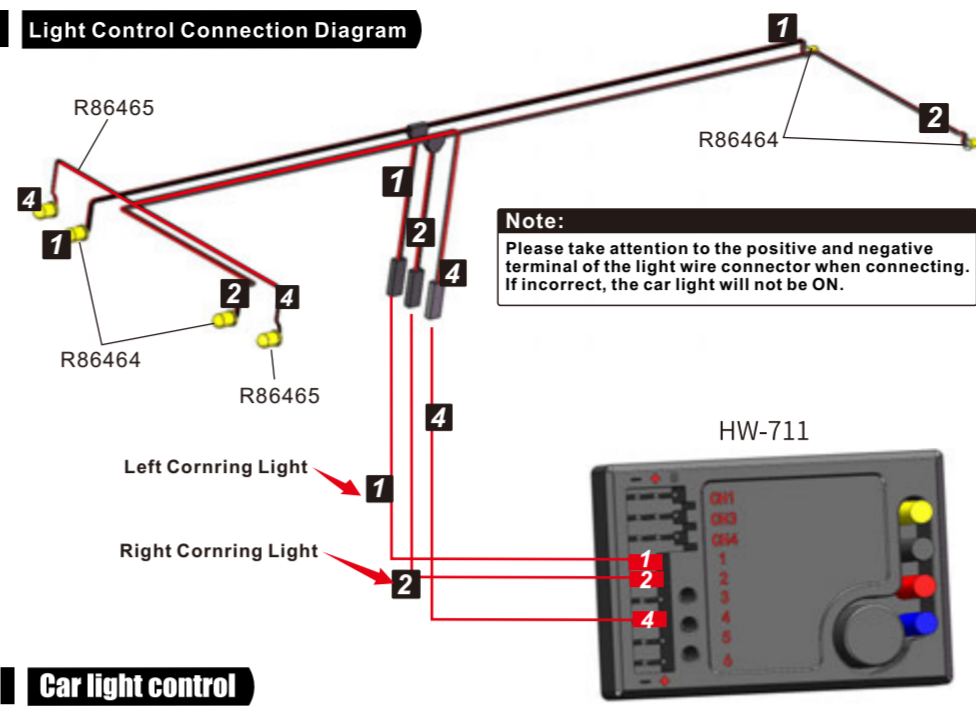
(The Red or Yellow light indicate charging. The Green light indicate full-charged. The charging needs 3 or 4 hours.)



CHARGE THE VEHICLE BATTERY

1. Connect charger plug with mains jack and then connect with connector of battery.
2. Please be care of safety while charging, please remove charger plug from the mains jack once finish charging. Will be over heat if it is too long to be charging or incorrect charging way. must stop charging if over 45 degree for the battery temperature.
3. Do not charge for battery at once when you take it away from your car. Please make sure battery in cool condition before recharge battery to keep battery performance running well and get a longer use life.

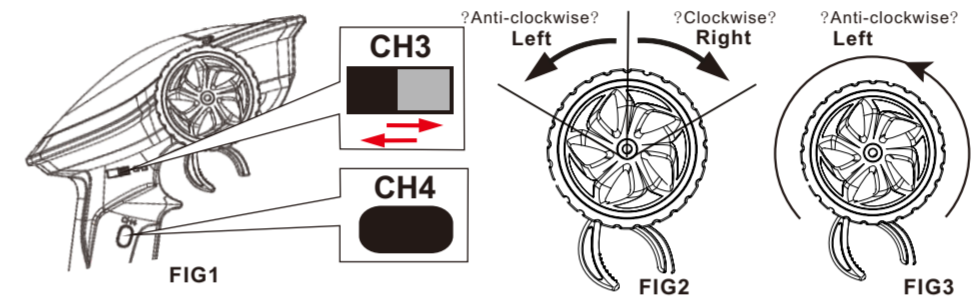
Light Control Connection Diagram



Note: Please take attention to the positive and negative terminal of the light wire connector when connecting. If incorrect, the car light will not be ON.

Car light control

Light Control Instruction For Rock Cruiser V3-FD



1. As shown in fig. 1, flip the CH3 key to the right, the car lights turn on. As shown in fig. 2, turn the steering wheel to the right, the right steering light comes on, and turn the steering wheel to the left, the left steering light comes on. (Normal Mode)
2. As shown in fig. 3, turn the steering wheel to the right for three times, and the LED light flashes; turn another three times, the LED light gets into the breathing mode; And turn it more three times, the LED light turns off. (repeat the above steps, the function continues the cycle)
3. As shown in figure 1, press CH4 once, the emergency light flash slowly. Press CH4 again to turn off the emergency light. Press CH4 key twice, and the LED light enters the breathing mode.
4. As shown in figure 1, push CH3 key to the left, the car lights turn off.
5. Restore factory setting, press BIND and CH4 button, and power on the transmitter, then the green light flashes.

Note:

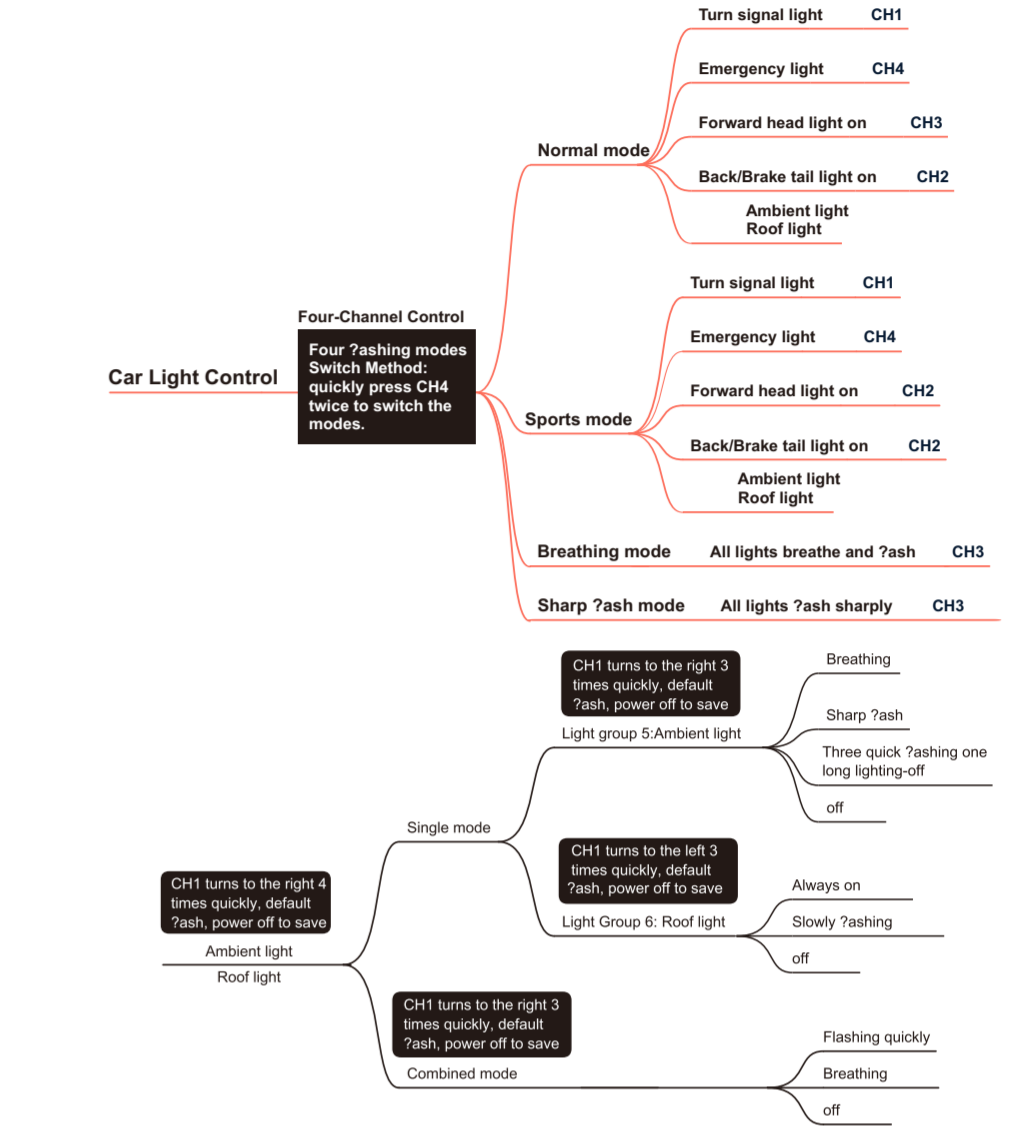
1. Check the battery pack in the kit and the battery in the transmitter are all full before the above actions. Check the light wire and HW-711 connection before power-on.
2. Turn the steering wheel to the left three times, activate the ambient light function. Once null, you can try to turn the steering wheel to the right for three times, or use the ST_REV on the transmitter to switch the direction.
3. All the above functions are only fit for the factory-fit of ROCK CRUISER V3FD. For more details, please refer to HW-711 manual.

HW-711 Light Control more instruction

The car light control is mainly to implement the changeover of lighting states and lighting modes by setting the transmitter. Control mode of the car light ON/OFF:

- The car light control is divided into four-channel control and two-channel control. Switching between the two control modes can be implemented by turning on the transmitter, turning the handwheel clockwise to the maximum stroke, and turning on the power supply of the receiver.
- When switching to four-channel control, the rightmost position of CH3 turns on the car lights, and the leftmost position turns off the car lights.
- When switching to two-channel control, turn the handwheel quickly to its maximum stroke twice clockwise to turn on the emergency light, and turn off by repeating the action; Turn the handwheel counterclockwise to its maximum stroke to turn on the width indicator light or breathing/flashlight, and turn it off by repeating the action.

- (1) If the front and tail lights are contrary to the actual control, the control mode of the front and tail lights should be reversed. When the transmitter is turned on, turn and keep the hand wheel counterclockwise to its maximum stroke, and power on the receiver to conduct the switchover; if the left and right turn signals are contrary to the actual control, it is only necessary to exchange the left and right light wires at the car light interface.
- (2) If CH1 is set with channel reversal, all the above handwheel operations should be operated in the reverse direction (change clockwise for counterclockwise, and change counterclockwise for clockwise).
- (3) The direction CH1 and accelerator CH2 for car light control are capable of automatic neutral position identifying.



2.4GHZ Radio System

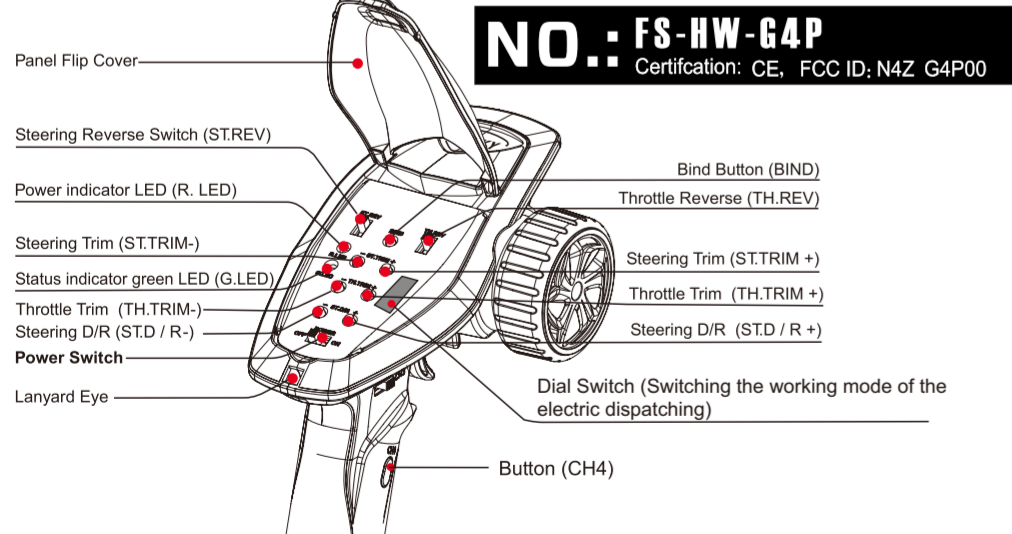
Take out the transmitter and load 4 AA size batteries.

Battery Installation:

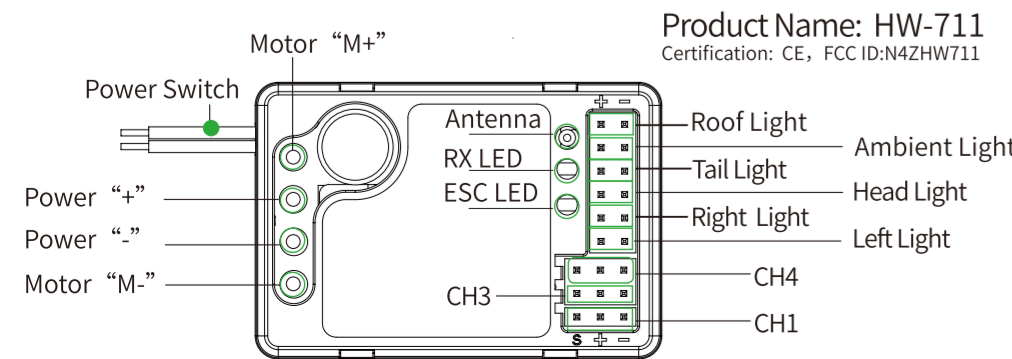
1. Open the battery compartment cover.
2. Insert 4 fully-charged AA batteries into the compartment. Make sure that the battery makes good contact with the battery compartment's contacts.
3. Replace battery compartment cover.

NOTE

Low battery alarm: When the battery is lower than 4.2v, the G.LED on the panel will flash slowly



Receiver overview

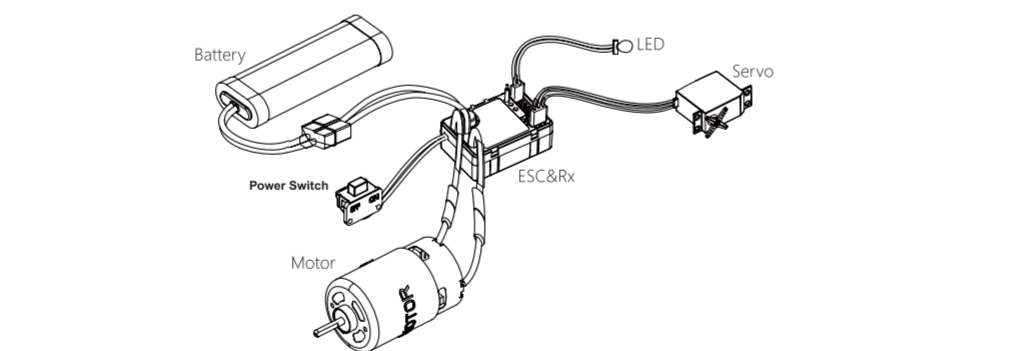


Binding

- The receiver automatically enters the binding state once it is powered on.
1. Press the BIND key to turn on the transmitter (FS-HW-G4P) and allow it to enter its binding state. Here, G.LED flashes quickly, and operator releases the BIND key.
 2. When the receiver is powered on and waits for 1 second, it will automatically enter the binding state if it is not connected;
 3. After the binding is successful, the LED indicator of the receiver is always on.
- Notes: (1) Set the transmitter to its binding state first, and then set the receiver to its binding state. If the binding is not completed within 10s, the indicator light of the receiver will enter its slow flashing state.
 (2) If re-binding is successful, all the settings of the car lights will be restored to their default values.

ESC function instructions

1. Connect related equipment:
 - Make sure the ESC is off before connection. Connect the motor with M+ and M- of ESC. Connect the steering servo to the 3Pin interface marked with "ST" of ESC (- + S connected correspondingly). Connect the battery with the positive and negative poles of ESC correspondingly.



2. Normal boot, identification throttle midpoint:

- After connecting related equipment as step 1, turn on the radio first, move the throttle trigger to the neutral position. Turn on the switch of ESC at last. When the battery of ESC is LiPo, the motor will emit "beep-beep" twice if use 2s LiPo; when the battery of ESC is NiMH cells, the motor will emit "beep" only once. After about 1 second, the motor will long emit "beep" sound, indicating self-inspection is completed, then can run it.
- Note:
- a. The ESC can be run after completing self-inspection (about 3 seconds) if power on, otherwise it cannot be operated normally.
 - b. If there is no power output and the red light of ESC flashes quickly after power on, it means that the actual throttle is not at the neutral position, move the throttle to the neutral position until the red light does not flash.
 - c. If the rotation direction is not correct during running, exchange the two wires connecting motor and ESC.
 - d. To make sure everything is ok, please turn on the radio first and finally turn on the ESC, turn off the ESC first and finally turn off the radio.

3. Description of LED status during driving:

- The red LED of ESC extinguishes when the throttle trigger is at the neutral position.
- The red LED quickly flashes when move forward; the red LED is constantly on when the throttle is at the end position of forward (100% throttle).
- The red LED quickly flashes when reversing.

Note: Please refer to the relevant sections of FS-HW-G4P manual for details about the battery type, drag brake force and running mode of the ESC.

4. Setting Method:

- There are three parameters can be set for the ESC, which are "Running mode", "Battery type", "Drag brake". There are slide switches numbered 1 2 3 4 on the radio panel. The above parameters can be set by dialing left and right. The specific operation is as follows:
- When No. 1 slide switch is on the left, it indicates that the operation mode is set to FWD / REV / BRK.
 - When No. 1 slide switch is on the right, it indicates that the operation mode is set to FWD/REV.
 - When No. 2 slide switch is on the left, it indicates that the battery type is set to LiPo.
 - When No. 2 slide switch is on the right, it indicates that the battery type is set to NiMH.
 - When No. 3 and No. 4 slide switch are on the left, it indicates that the drag brake force is set to 50%.
 - When No. 3 slide switch is on the left and No. 4 slide switch is on the right, it indicates that the drag brake force is set to 75%.
 - When No. 3 slide switch is on the right and No. 4 slide switch is on the left, it indicates that the drag brake force is set to 100%.
 - When No. 3 and No. 4 slide switch are on the right, it indicates that the drag brake force is set to 100%.

Spare Part

R86389-B Gear Box/Housing (F)	R86390-B Gear Box/Housing (R)	R86393 Rear Straight Axle	R86394 Steering Hubs(L/R)
R86392 Steering Hub Carriers(L/R)	R86452 Bumper Mounts	R86395 Ball Stud	R86399 Chassis Plate
R86397 Transmission Gear Housing Set	R86396 Motor Cover	R86411 Battery Mounts	R86391 Servo Mount
R86401 Chassis Frame Block	R86402 Battery Tray+Batter Strap	R86386 Foot Pedal	R86400 Shock Stay
R86450 Front Bumper	R86451 Rear Bumper	R86410 TransmissionMetal Gear Set (50T+14T+34T+16T)	R86409 Main Gear 60T
R86398 Main Gear Mount	R86713 Drive Gear 14T	R86239 Crown Gear 38T	R86426 Gear Shaft Set
R86407 Shock Absorbers	R86343 Ball Stand 1	R86422 Ball Stand 2	R86423 Ball Stand 3

Spare Part

R86424 Ball Stand 4	R86418 Rear Shaft	R86419 CVA Drive Shaft	R86415 Servo link
R86416 Upper Link	R86417 Lower Link	R86414 Steering Link	R86413 Chassis Rails
R86404 Universal Drive Shaft	R86403 Wheel Hex/Pin	R86427 Pinion Gear 22T	R86412 Motor Mount
R86431 Motor (RC390)	R86439-S LElectroplated Silver Wheel Rim	R86406 Tire W/Foam	R86462 Wheel Complete
R86714 Ball Bearing (05*08*3)	R86428 Ball Bearing (04*08*3)	R86430 Ball Bearing (07*011*3)	R86047 Ball Bearing (05*10*14)
R86360 Nylon Nut M4	R86051 Nylon Nut M3	R86053 Grub Hex Screw M3*3	R86054 Grub Hex Screw M4*4
R86052 Flange Nut M4	R86420 King Pin Bushing	R86421 Ball Stand Screw Ø4.0	R86289 Cap Head 2*8

Spare Part

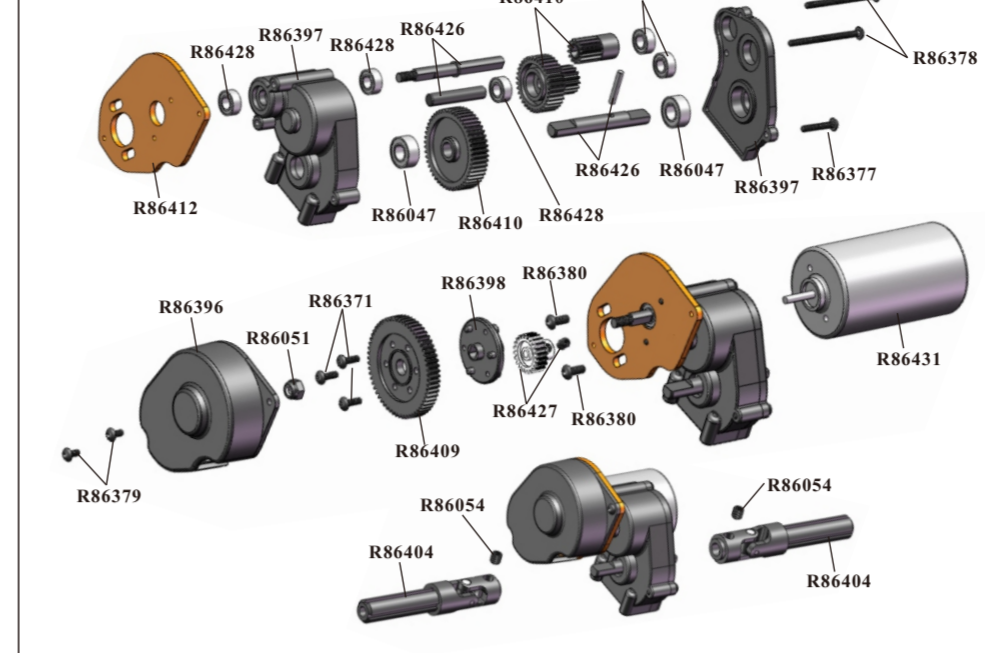
R86453 2.0 Cap Head 2.5*8	R86361 1.5 Cap Head 2*14	R86320 2.0 Cap Head 2.5*11	R86372 2.0 Flat Head 3*14
R86060 2.0 Button Head 3*10	R86068 2.0 Flat Head 3*8	R86340 2.0 Flat Head 3*6	R86374 1.5 Flat Head 2*12
R86375 2.0 Flat Head 2.0*15	R86203 1.5 Flat Head 2*5	R86378 1.5 Button Head 2*27	R86376 2.0 Button Head 3*22
R86065 2.0 Button Head 3*20	R86062 2.0 Button Head 3*14	R86060 2.0 Button Head 3*10	R86059 2.0 Button Head 3*8
R86058 2.0 Button Head 3*6	R86456 1.5 Button Head 2.5*4	R86380 1.5 Button Head 2.5*6	R86371 1.5 Button Head 2*6
R86379 1.5 Button Head 2*4	R86457 2.0 Flange Head Screws 3*8	R86370 1.5 Cap Head 2*10	R86377 1.5 Button Head 2*12
R86408 Servo Horn	R86432 Servo-6KG	HW-711 ESC/Receiver	FS-HW-G4P Radio

R86460 Air Grill/Front Body Post Set	R86461 Rear Mirror/Rear Body Post Set	PVC Body PVC Body (+Sticker)	R86449 PVC Roof Cover (White)
R86459 Roof Rack	R86463 LED Set	R86464 Cornering Light (L/R)	R86465 LED Light 02053
R86435 Battery (7.2v1500mAh)	R86256 RGT Sticker	R86454 Roof Rack LED Light (Optionals)	 R-Clip (Body)

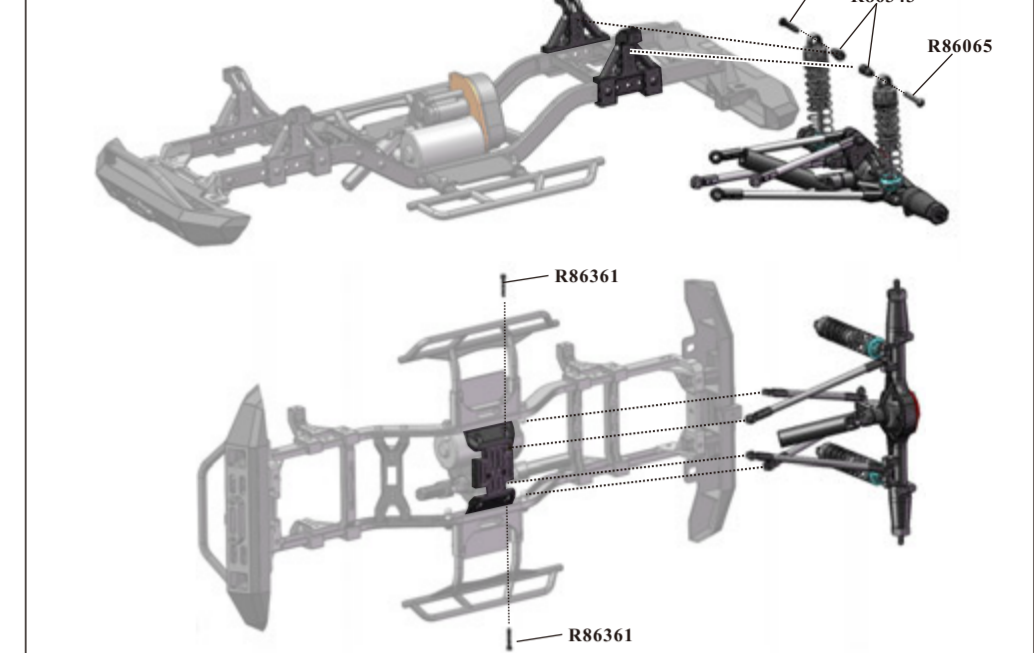
Optionals Part

P860106 Coper 145g/p Steering Hub Carriers (L/R)	P860107 Coper 95g/p Rear Wheel Weight Set (L/R)	P860108 Coper Gear Box Lid 30g/p	P860109 Steering Hub Carriers (L/R)
R86369 Wire Head	R86366 Accessories Kit	P860067 Alloy Wheel Weight Set	P860065 Wheel (AL.) 1
P860066 Wheel (AL.) 2	R86314 Shock Absorbers (AL.)	680030 Universal Drive Shaft (AL.)	680035 Battery Tray (AL.)
680027 Chassis Plate (AL.)	680031 Chassis Frame Block (AL.)	680001 Transmission Gear Housing Set (AL.)	P860085 PC Clear BODY+Sticker

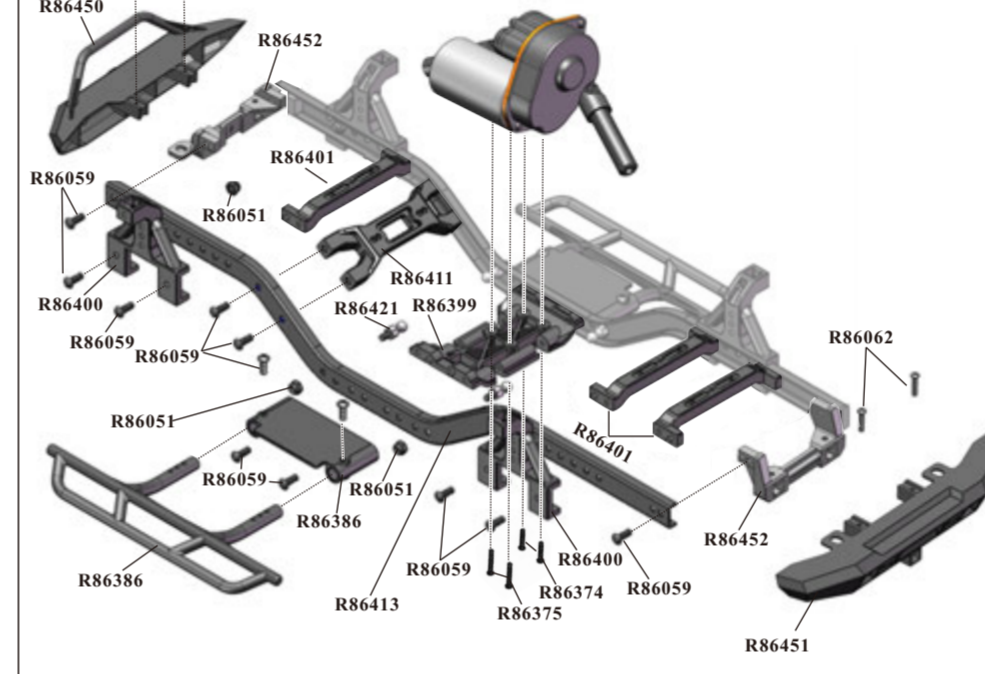
Transmission Gear Assembly



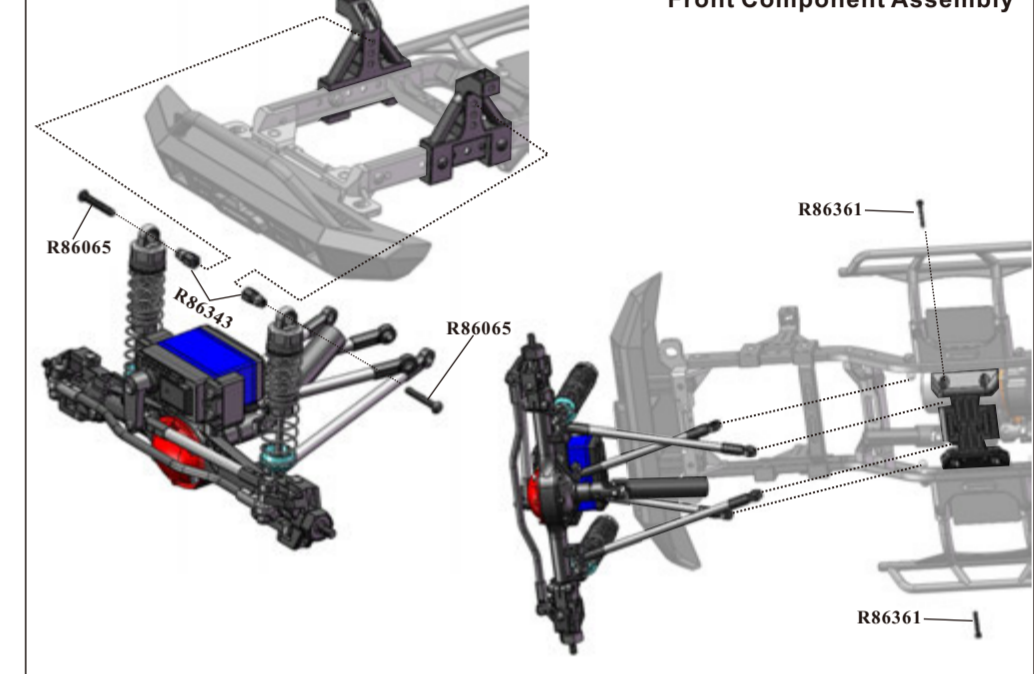
Rear Component Assembly



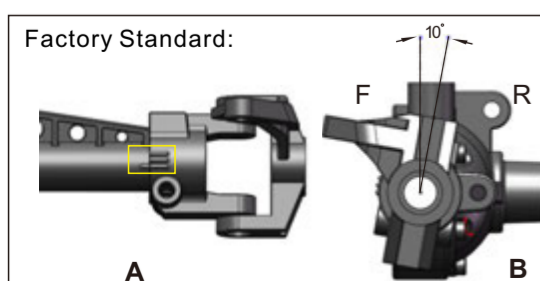
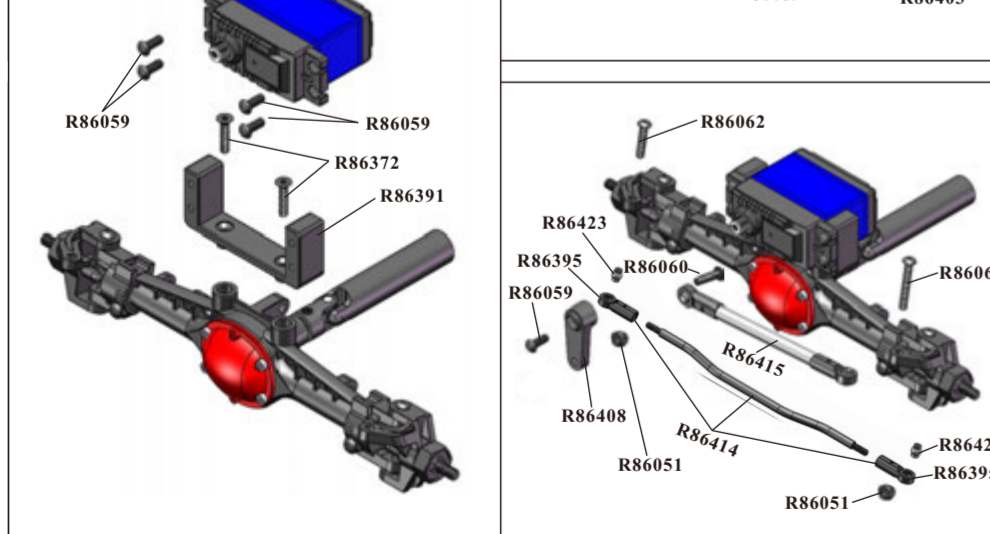
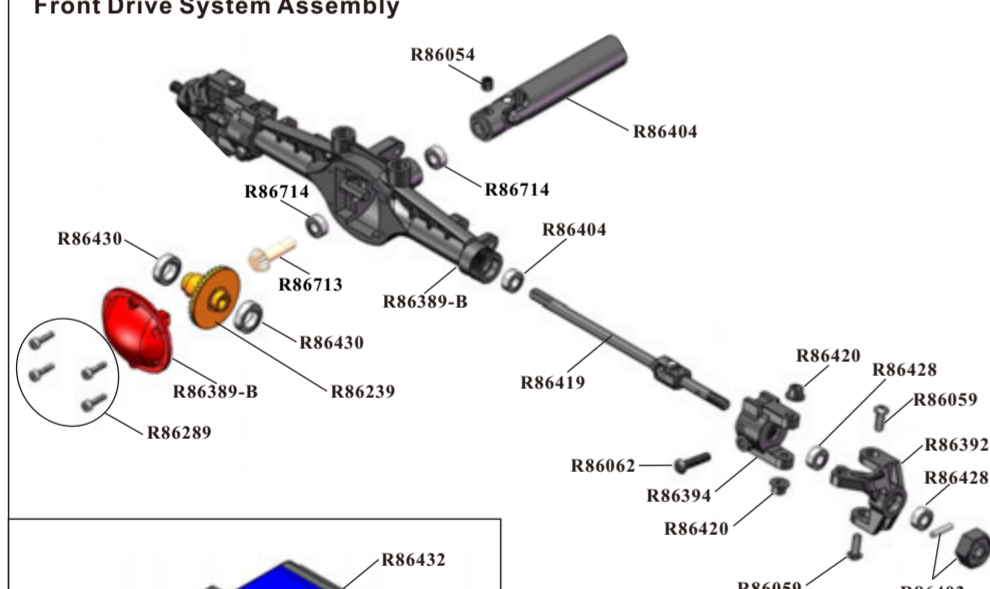
Chassis Rail Assembly



Front Component Assembly

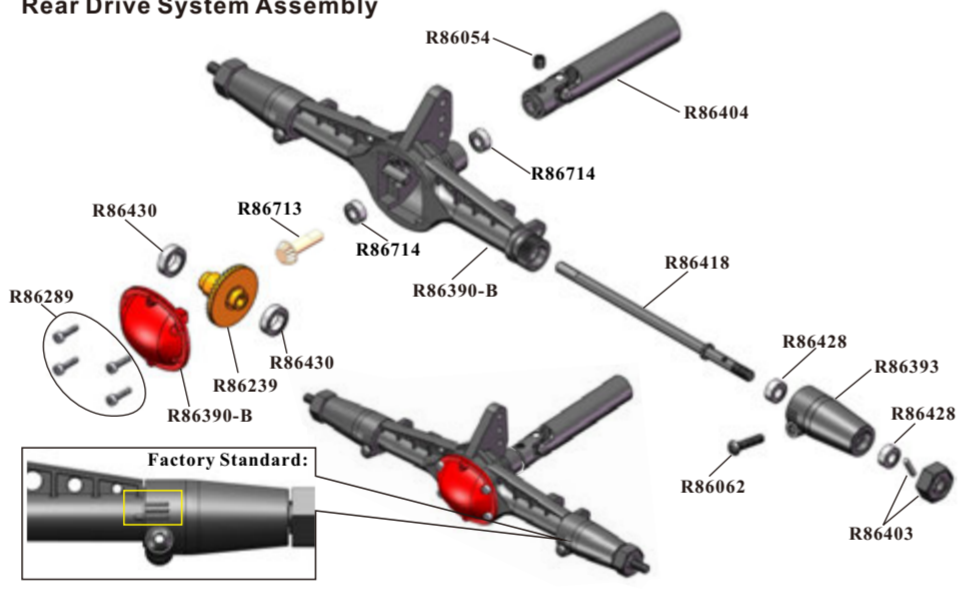


Front Drive System Assembly

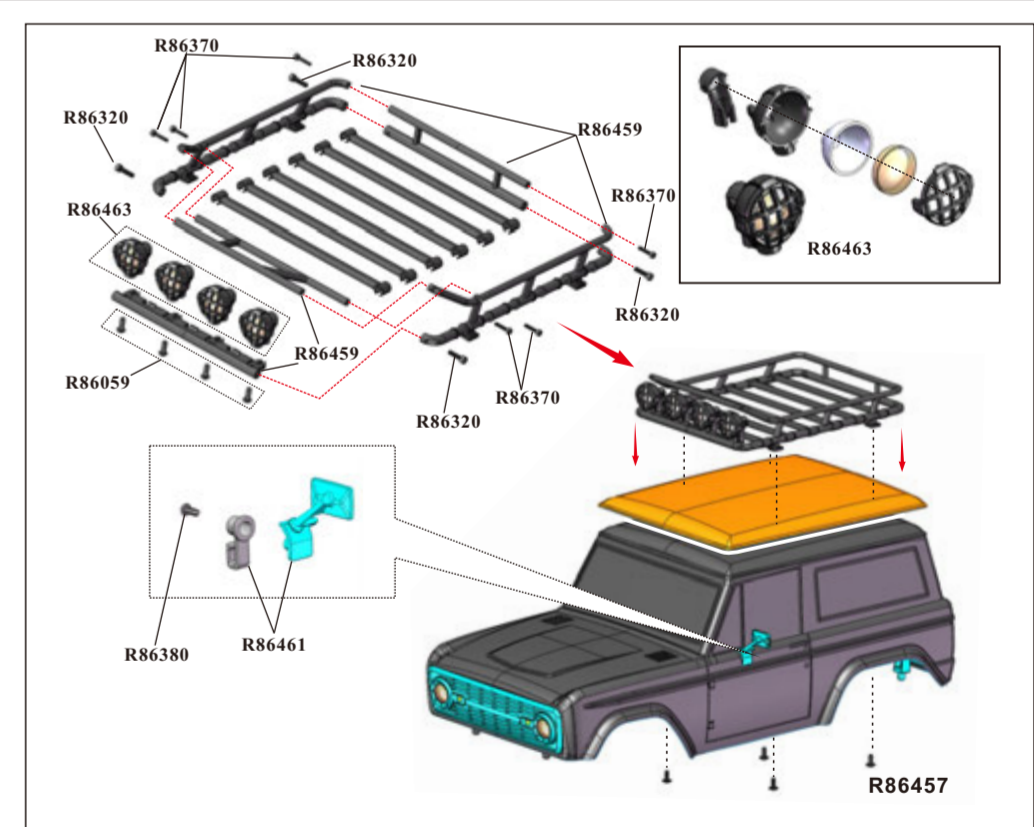
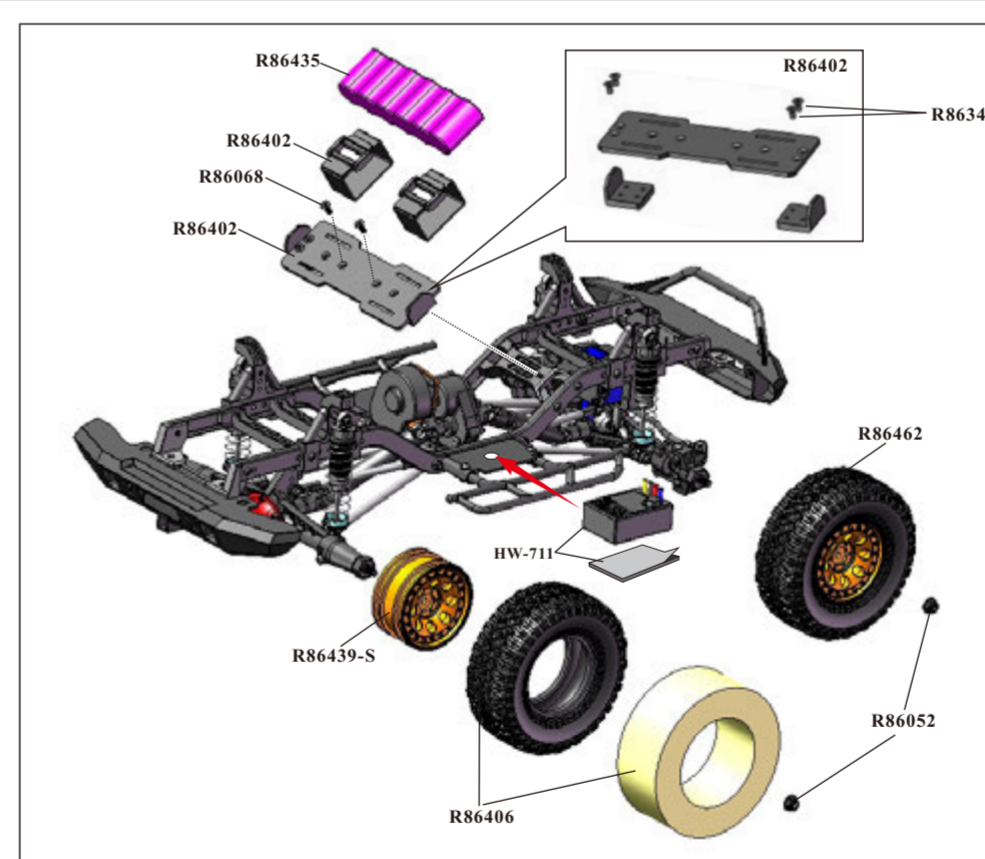
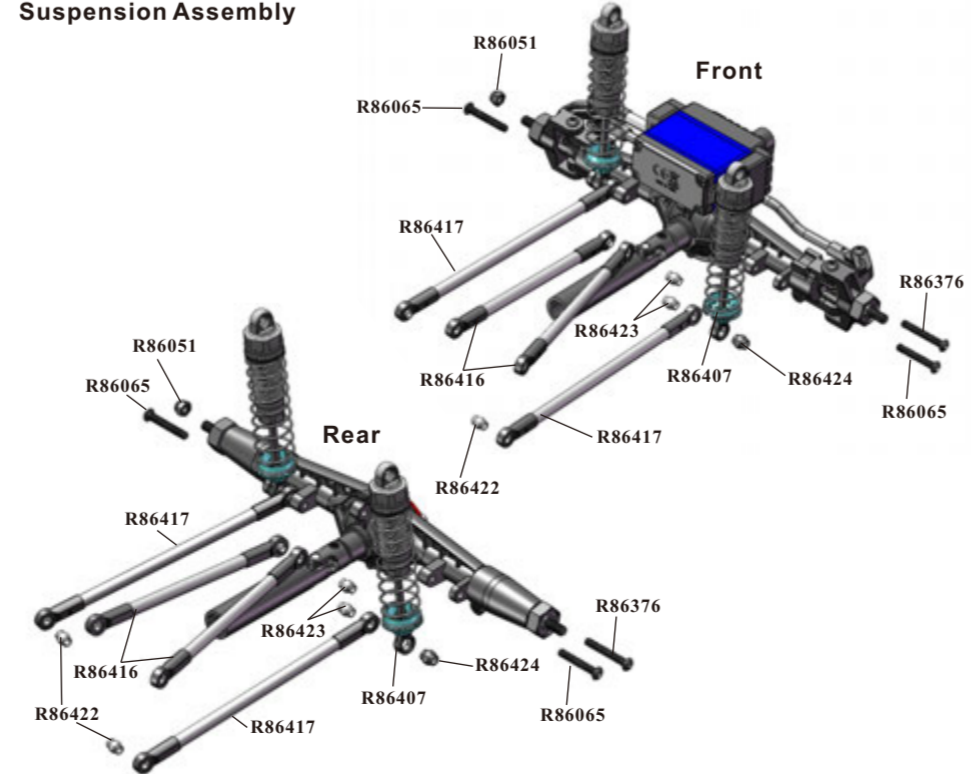


NOTE:
Assemble the gearbox and the Caster, Align the gearbox scale with the lowest scale of Caster (as shown in Figure A) If incorrect, the car will move instability.

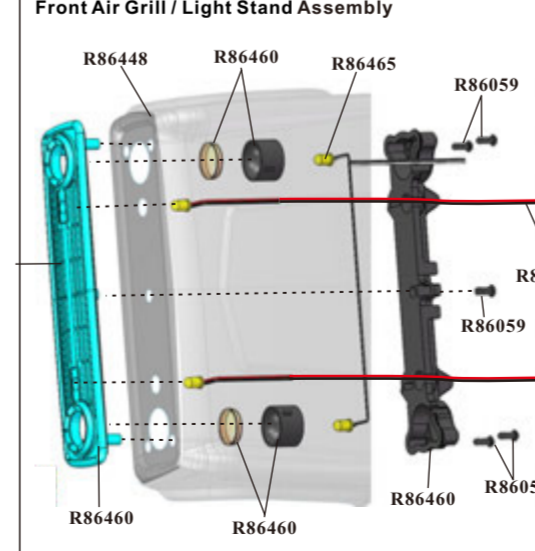
Rear Drive System Assembly



Suspension Assembly



Front Air Grill / Light Stand Assembly



Rear Body Post Set Assembly

